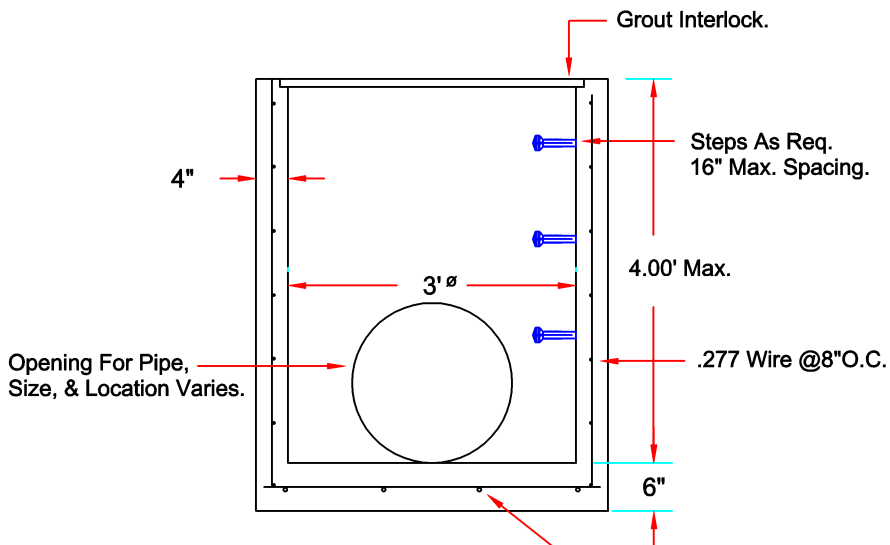


Plan View



Section View A. - A.

Notes:

1. Concrete 4,000 P.S.I. Min.
2. Constructed As Per ASTM C-478.
3. Steps Meet ASTM C-478.
4. All Rebar Meets ASTM A-615, Grade 60.
5. Reinforcing Wire Meets ASTM A-82.

NPCC

NANSEMOND PRE-CAST CONCRETE CO., INC.

3737 Nansemond Parkway - Suffolk, VA. 23435
 Phone: (757) 538-2761 Fax: (757) 538-8342

36" Dia. Non Extended Base

Drawing #: 36-NEB

Scale: 1/2" = 1'

Date: 8/7/06

Contractor Approval:

X _____