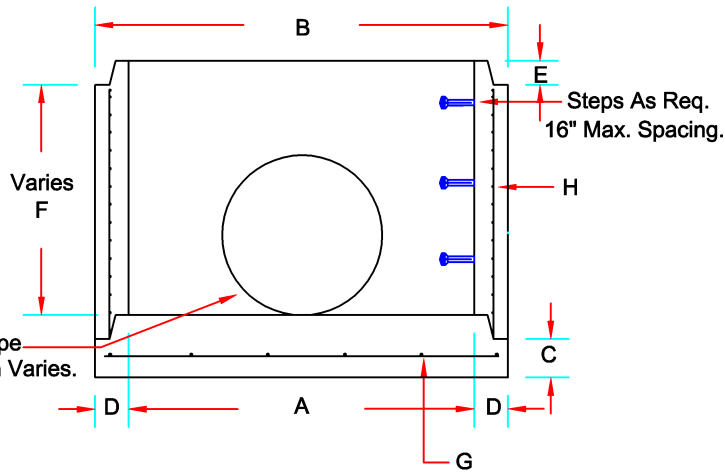


Plan View



Section View A. - A.

		72" Dia. Non Extended Base	84" Dia. Non Extended Base
A	Inside Diameter	72"	84"
B	Outside Diameter	86"	100"
C	Base Thickness	8"	8"
D	Wall Thickness	7"	8"
E	Tongue Height	5"	5"
F	Max Height	7'7"	7'7"
G	Rebar In Base	#4 Bar @16"O.C.E.W.	#4 Bar @18"O.C.E.W.
H	Wire In Walls	.277 Wire @3-3/4"O.C.	.277 Wire @3-1/4"O.C.
	Weight Per Foot	1840#	2420#
	Weight For Base	5800#	7900#

Notes:

1. Concrete 4,000 P.S.I. Min.
2. Constructed As Per ASTM C-478.
3. Steps Meet ASTM C-478.
4. Butyl Joints Meet ASTM C-990.
5. All Rebar Meets ASTM A-615, Grade 60.
6. Reinforcing Wire Meets ASTM A-82.

Type of Coating: _____ Interior _____ Exterior _____.